

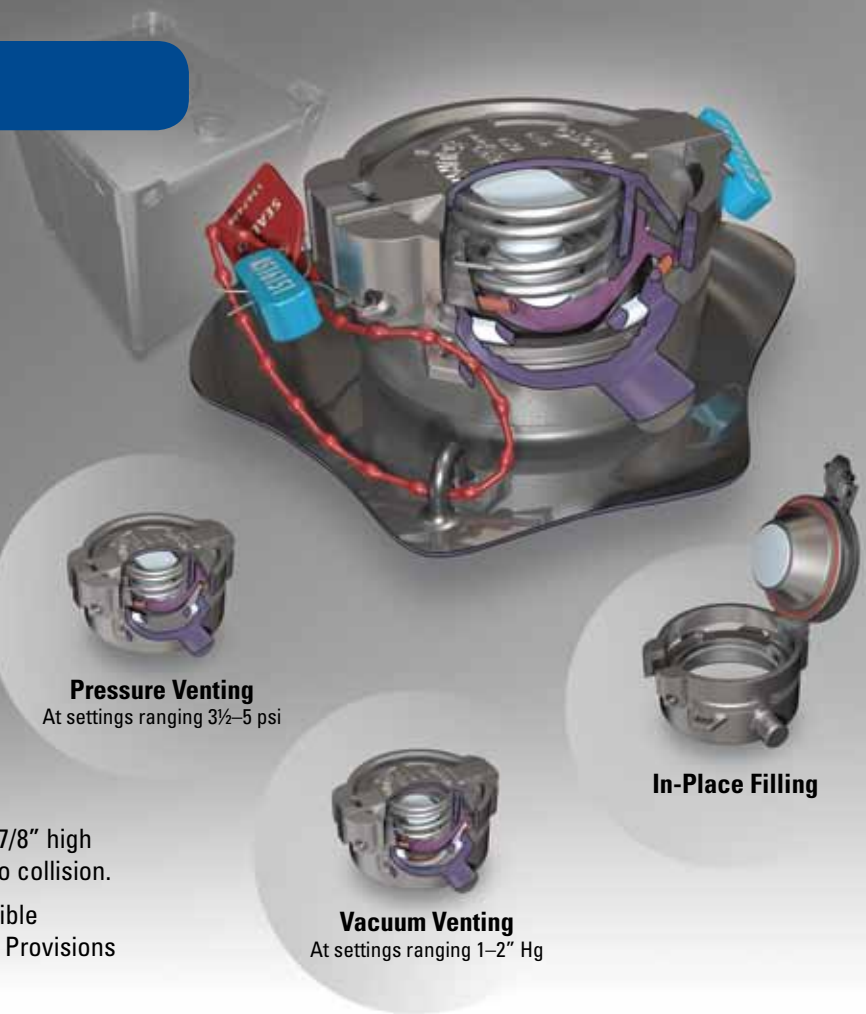
Vent/Fill IBC Cap

	GIRARD Vent/Fill IBC Cap	Competing 5 in 1 Design
Fill Cap	✓	✓
Pressure Relief	✓	✓
Vacuum Relief	✓	✓
Fusible Vent	✓	✓
Rollover Protection	✓	✓
Tamper Sealing	✓	X
In-Place Cleaning	✓	X
In-Place Repair	✓	X
In-Place Filling	✓	X
High-Purity/Food	✓	X

The dual-acting pallet of a Girard Vent/Fill IBC Cap relieves both pressure and vacuum, and sits securely within the vent body to avoid damage. Stainless steel construction and a choice of Teflon or Viton seals ensure compatibility with most any cargo. The device stands just 17/8" high (or 1" above the threaded flange), minimizing its exposure to collision.

Made of a heat-sensitive engineered polymer, the cap's fusible element and vacuum section ensure venting in case of fire. Provisions for tamper-evident sealing help safeguard cargo.

This patented, durable design can be field-repaired or factory reconditioned for long life.



Pressure Venting
At settings ranging 3½–5 psi

In-Place Filling

Vacuum Venting
At settings ranging 1–2" Hg

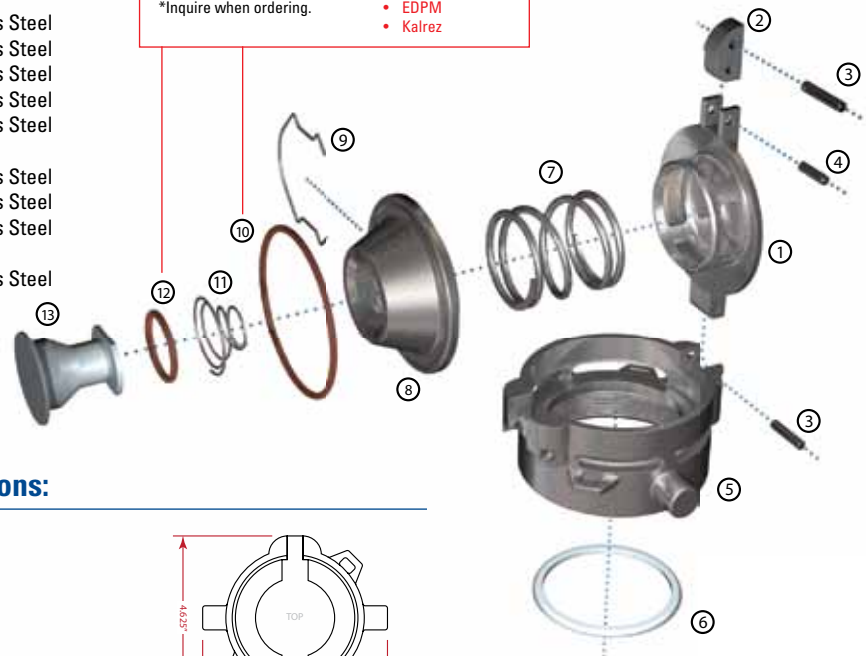
Component Inventory:

Item	Part Number	Description	Material
1	501001	Flap	Stainless Steel
2	501022SS	Fusible Link	Stainless Steel
3	501003	Long Pin (qty. 2)	Stainless Steel
4	501004	Short Pin	Stainless Steel
5	501012	Housing	Stainless Steel
6	30R	Orange DuraSeal Gasket	PTFE
7	501005	Pressure Spring	Stainless Steel
8	501008G2	2nd Generation Pressure Poppet	Stainless Steel
9	501007	Retaining Clip	Stainless Steel
10	501011	Pressure O-Ring	Tef-O-Sil
11	201006C	IBC Conical Vacuum Spring	Stainless Steel
12	501010	Vacuum O-Ring	Tef-O-Sil
13	501009P	Vacuum Poppet	PTFE

Also available in these optional elastomer sealing materials*:

- Viton
- Viton Extreme
- White Neoprene
- EDPM
- Kalrez

*Inquire when ordering.



IBCV-OSK O-Ring Service Kit (order separately; includes 10, 12, 6)

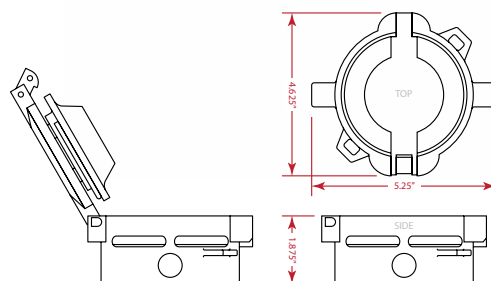
Ordering Information:

Part Number: IBC - - -

code	psi	Barg
35	3.5	0.24
50	5.0	0.35
SP	specify	specify

code	Hg	psi	Barg
V1	1"	-0.5	-0.034
V2	2"	-1.0	-0.068
VS	specify	specify	specify

Dimensions:



GS10005 Combo Pressure/Vacuum Vent



Pressure Venting

sMart Vent™ relieves tank pressures exceeding 5 psi.

sMart Vent works in series with Girard's 3" stainless polymer-fusible (3-SPF) to provide required emergency venting for UN31A.



Vacuum Venting

sMart Vent™ relieves tank vacuums exceeding 1" Hg.



A single GS10005 sMart Vent™ protects intermediate bulk containers (IBCs) against excessive pressure and vacuum. Threading into a standard 2" port, the design features a cast stainless guard to protect the rain cover against impact damage. Engineered for low maintenance and easy cleaning, this vent offers superior protection for metal IBCs.



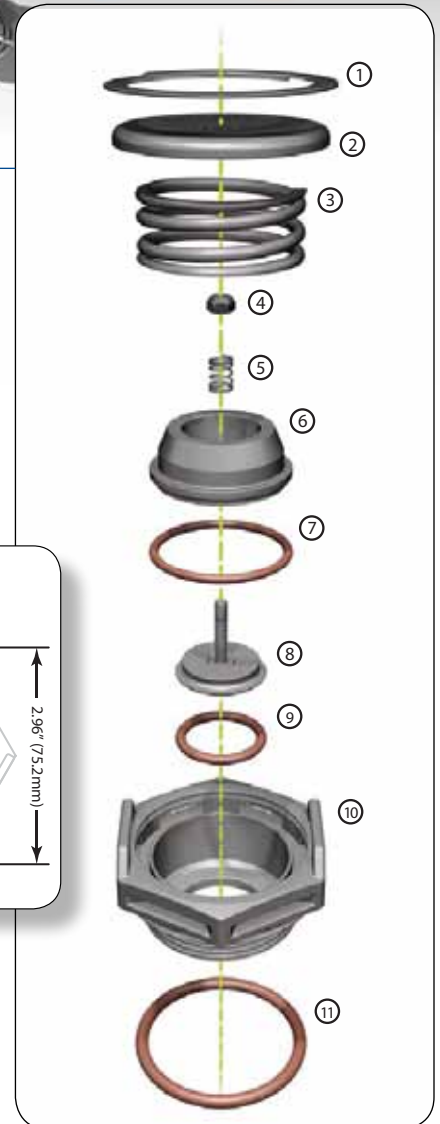
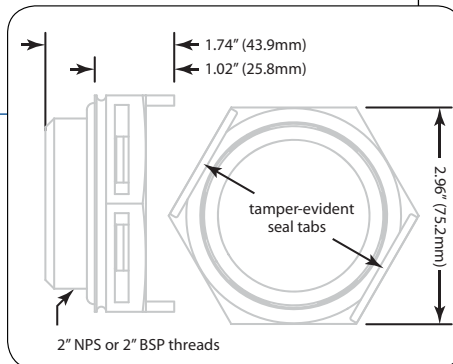
Component Inventory:

Item	Part Number	Description	Material
1	GS10008	Cover Retainer Ring	Stainless Steel
2	GS10009EP	Cover	Stainless Steel
3	GS10013	Pressure Poppet Spring	Stainless Steel
4	GS10014	Vacuum Poppet Locking Nut	Stainless Steel
5	GT10600	Vacuum Poppet Spring	Stainless Steel
6	501006	IBC Vacuum Spring	Stainless Steel
7	GS10018	Pressure Poppet O-Ring	PTFE/Silicone
8	GS10019	Vacuum Poppet	Stainless Steel
9	GS10020	Vacuum Poppet O-Ring	PTFE/Silicone
10	GS10010	Body (NPT)	Stainless Steel
	GS10010A	Body (BSP) <i>(for BSP threaded valve, see below)</i>	Stainless Steel
11	GS10012	Body O-Ring	PTFE/Silicone

Dimensions:

Ordering Information:

Item	Description
GS10005	sMart Vent™ Pressure/Vacuum Relief Vent Thread: 2" NPT Male Pressure Setting: 5 psi Vacuum Setting (factory): 2" Hg Seals: Tef-O-Sil (PTFE/Silicone)
GS10007	sMart Vent™ Pressure/Vacuum Relief Vent Thread: 2" BSP Male Pressure Setting: 5 psi Vacuum Setting: Adjustable to 1" Hg Seals: Tef-O-Sil (PTFE/Silicone) (Other seal options available; please inquire.)





INTERMEDIATE BULK CONTAINER EQUIPMENT

**Specialists For The Tank
Transportation Industry
Since 1952**

Girard Equipment- New Jersey
2100 South Wood Ave
Linden, NJ 07036

Girard Equipment- Florida
4360 Old Dixie Highway
Vero Beach, FL 32967
gsales@girardequip.com

Girard Equipment- Houston
531 Highway 146 North
(Southbound Feeder and North "E" St.)
La Porte, TX 77571
brentb@girardequip.com

Girard Equipment- Chicago
501 N. Riverside Drive
Suite 110
Gurnee, IL 60031
847-599-8566
dgirard@girardequip.com

Contact Girard Equipment:

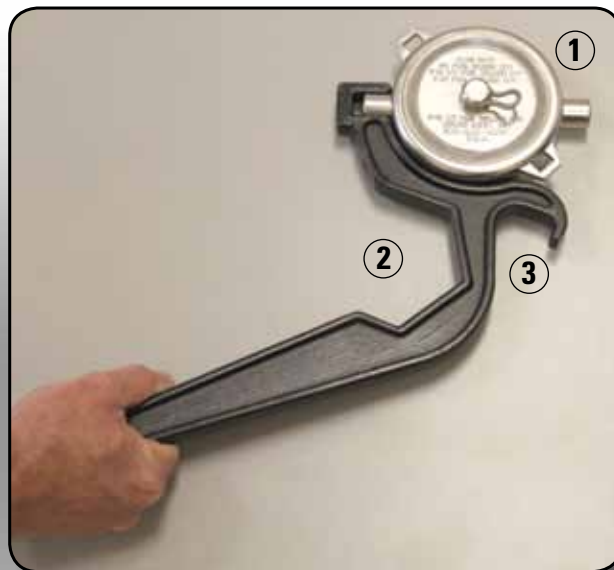
800-526-4330 (Inside The US:)

1-908-862-6300 (Outside the US)

www.girardequip.com

gsales@girardequip.com

3 in 1 spanner:



Also Available from Stock:

- Manlids
- Clamp Rings
- Lid Gaskets
- Ball Valves
- Hose and Fittings
- Drumming Nozzles

Girard Equipment is a DOT-registered tank component manufacturer.
©2012 Girard Equipment, Inc. All rights reserved. Specifications and
availability subject to change without notice. The Girard Equipment
name and logo are trademarks of Girard Equipment, Inc.

INTERMEDIATE BULK CONTAINER

GIRARD

WORLD CLASS PRODUCTS, WORLD WIDE SERVICE



www.girardequip.com • gsales@girardequip.com