

Disassembly and Repair Instructions for the IBC Vent/ Fill Cap & Sani Vent





Tools needed:

1 1/32" or an adjustable wrench,
O-ring pick or similar tool.

The IBC Vent/ Fill Caps pressure setting is preset at the factory. The vacuum setting is also pre-set however it can be readjusted to a higher or lower desired setting. Please note that tightening the vacuum thumbscrew will raise the vacuum setting.



Precautionary statement:

When working with aggressive chemicals or products which may cause injury to personnel it is highly recommended to employ the use of the necessary safety equipment including safety glasses, protective clothing, chemically resistant gloves etc.



To Open the Vent:
Push down on the lid
and pull back on the
fusible link until the pin
clears the valve body.



To Remove the Pressure/Vacuum Poppet assembly:

Twist poppet by hand approximately $\frac{1}{2}$ turn or until poppet is released from the lid. Place spring to the side.



Carefully remove Main Pressure O-Ring (part# 403013RG) using an O-ring pick or similar tool, careful not to damage the surrounding metal of the poppet.



For Vacuum Poppet Disassembly:
Before removing the vacuum poppet, note the distance down the stem where the thumbscrew is located so that when reassembling the vacuum section can be reset to that point.



Screwing down on the nut will increase the pressure on the spring and vacuum poppet. This will increase the vacuum setting and require more force to open the poppet thus increasing the vacuum level.

Thoroughly clean all metal parts prior to reassembly. Replace all damaged or corroded parts.

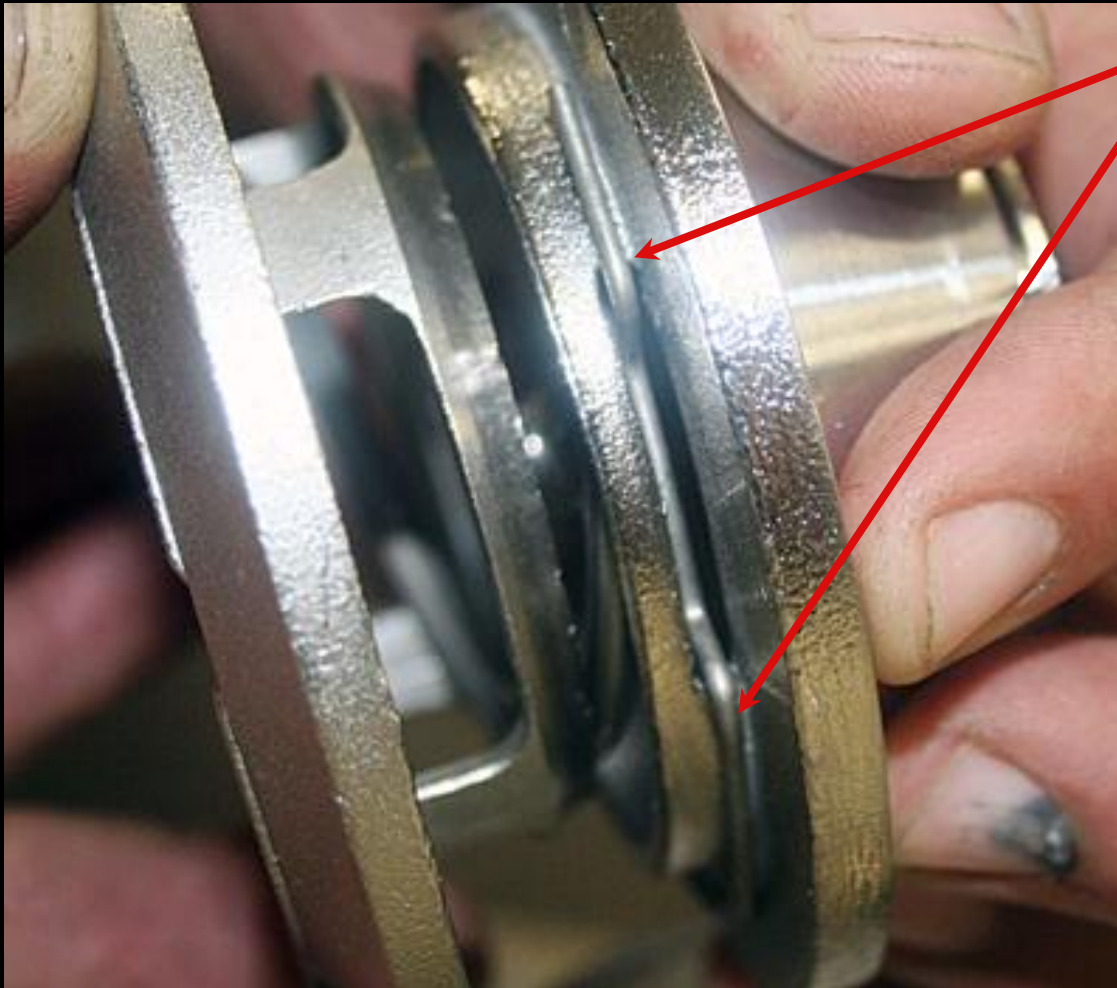


Reassembly of valve:

Replace Pressure
O-Ring

Replace vacuum
O-Ring

Assemble into poppet,
and replace spring,
vacuum nut and locking
nut. Place main pressure
spring in lid.



Line up the tangs of the retaining clip on poppet with windows of the cage area on the underside of the vent flap.

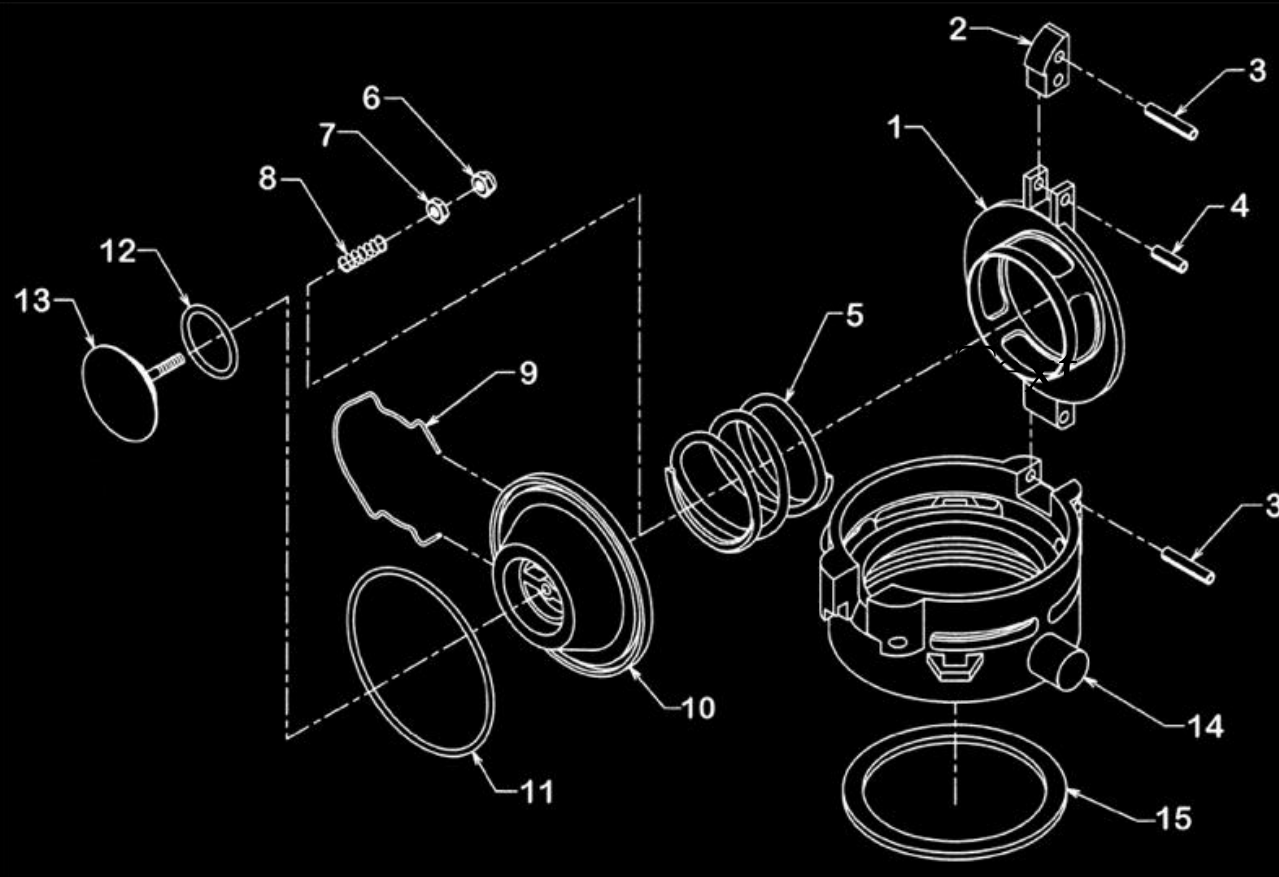


With one motion press the poppet into the lid. You should hear a snap as the retaining ring on the valve poppet clears the outer ring on the cage area. When you take your hand away the poppet should stay in place.



- Closed Lid and engage link.
- Retest valve for proper Pressure and vacuum settings.
- Valve is set and ready to be Re-installed.

ORDERING INFORMATION



	PART #	DESCRIPTION:
1	501001	FLAP
2	501002	FUSIBLE LINK
3	501003	LONG PIN (2 Req'd)
4	501004	SHORT PIN
5	501005	PRESSURE SPRING
6	202039A	VACUUM LOCK NUT
7	202039	VACUUM NUT
8	501006	VACUUM SPRING
9	501007	RETAINING CLIP
10	501008	PRESSURE POPPET
11*	403013RG	PRESSURE O-RING
12*	202037	VACUUM O-RING
13	501009	VACUUM POPPET
14	501012	HOUSING
15*	3TSR	PTFE SLIM GASKET

* IBCV- OSK (IBC VENT O-RING SERVICE KIT) Kit
Includes Items #: 11, 12 and 15

	Pressure PSI (Barg)
IBC35-XX	3.5 (.24)
IBC50-XX	5 (.35)
IBCSP-XX	Special Pressure Setting (please advise)

To Specify Vacuum Setting. Substitute "XX" with the suffix below:

	Vacuum Hg., PSI, (Barg)
V1	1" Hg., - 1/2, (-.034)
V2	2" Hg., - 1, (-.068)
SV	Special Vacuum Setting (Please advise)

