

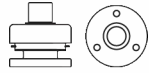
407 Series Stainless Steel Railcar

Pressure Relief Vent

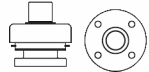
The Girard pressure vent safely and reliably relieves excess pressure that would otherwise create a hazardous condition in a tank car. It is made of investment-cast 316L stainless steel. All interior wetted parts are covered with a solid Teflon[®] liner; this vent will not degrade upon contact with corrosive ladings.

• Flange styles:

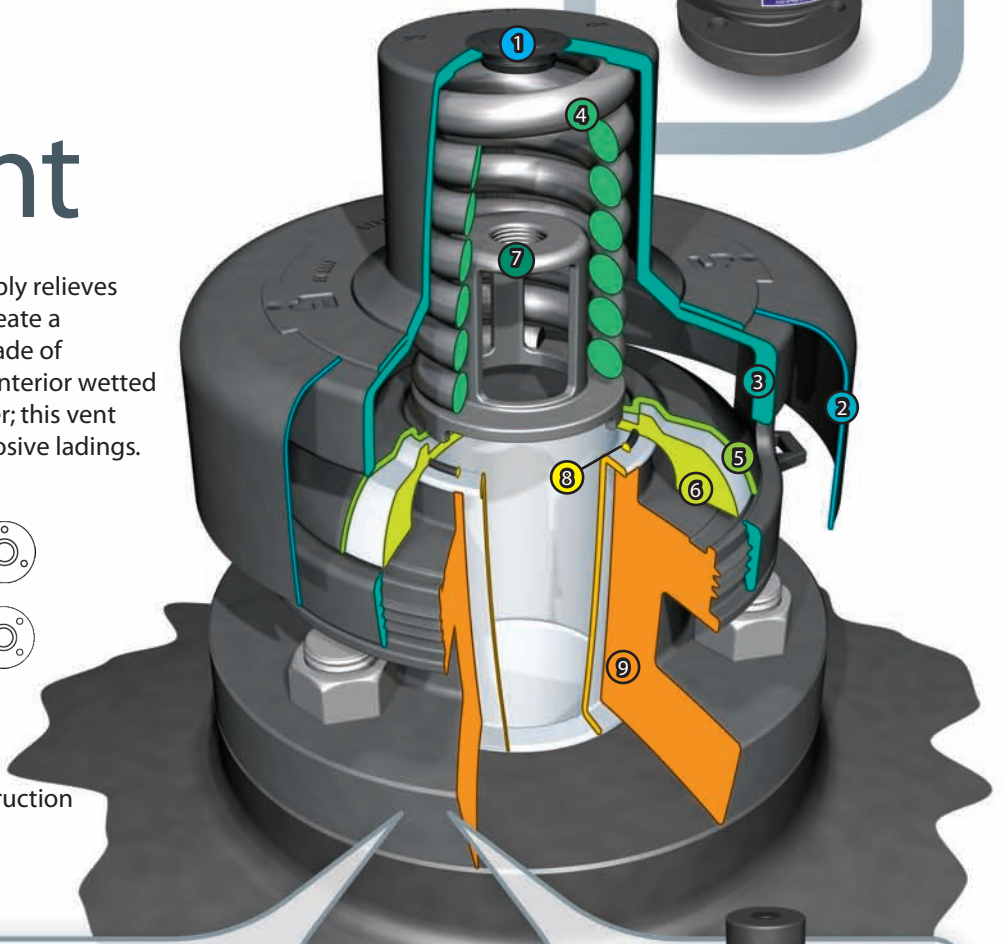
3 × ¾" holes on 5½" circle
(P/N RRDOT407-165-3)



4 × ¾" holes on 6¼" circle
(P/N RRDOT407-165-4)



- Release pressures up to 300 PSIG
- Release flows up to 11,000 SCFM
- 100% stainless steel and Teflon[®] construction
- All surfaces Teflon[®] spray coated



Item	Part	Name	Material
①	402019	Plug	Plastic
②	402003L-TC	Rain Cover	Stainless Steel
③	402004RR2	Upper Housing	Stainless Steel
④	402005HPM	Spring	Stainless Steel
⑤	402006L-TC	Poppet	Stainless Steel
⑥	GB04725	RR407 Seat w/ Groove	Teflon [®]
⑦	GB25010	Spring Retainer	Stainless Steel
⑧	GB07620	"O" Ring	Teflon [®] Silicone
⑨	4020234	Lower Housing, Lined (4-hole) ..	Stainless Steel
	4020232	Lower Housing, Lined (3-hole) ..	Stainless Steel

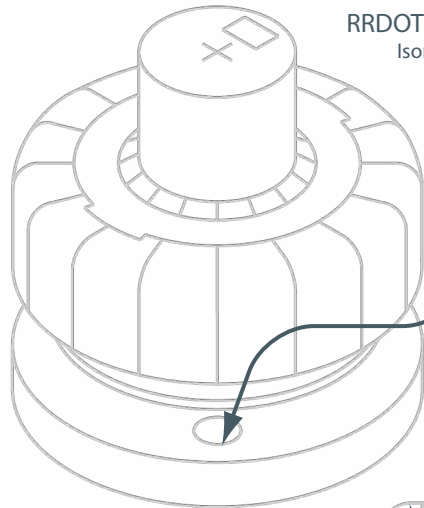
"-TC" designates Teflon[®] spray-coated component.



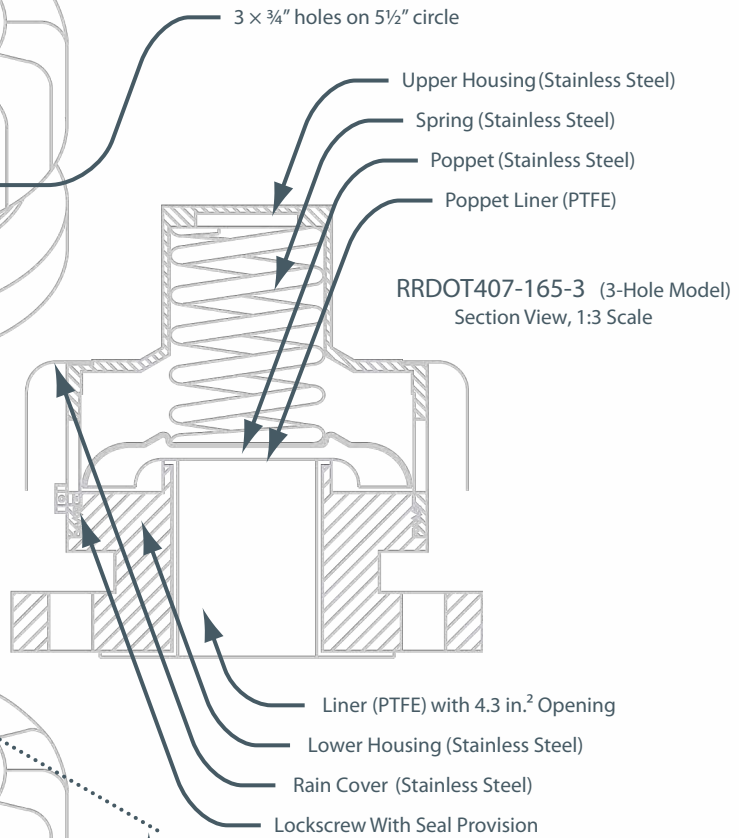
©2014 Girard Equipment, Inc. All rights reserved.
Specifications and availability subject to change without notice.
The Girard Equipment name and logo are trademarks of Girard Equipment, Inc.

Tank Car Pressure Relief

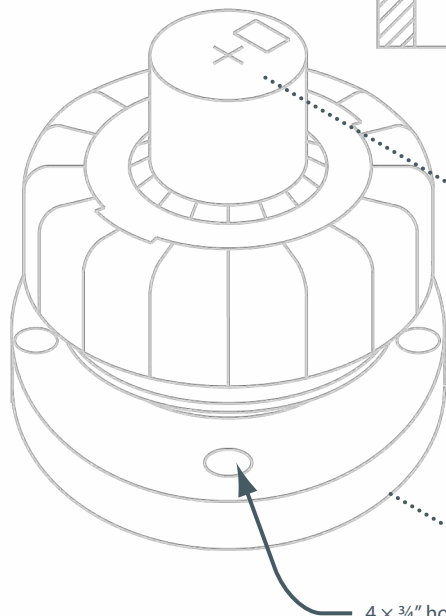
407 Series Stainless Steel Railcar Pressure Relief Vent



RRDOT407-165-3 (3-Hole Model)
Isometric View, 1:3 Scale



RRDOT407-165-4 (4-Hole Model)
Isometric View, 1:3 Scale



©2014 Girard Equipment, Inc. All rights reserved.
Specifications and availability subject to change without notice.
The Girard Equipment name and logo are trademarks of Girard Equipment, Inc.