

**5 YEAR
WARRANTY**



Sumps - GP40110 & GP40165

- One piece cast construction
- 4" TTMA bolt flange mounting
- Standard and custom lengths
- Slips in a standard 8.2" hole
- Chemical and physical certifications (MTR)
- 316L material and custom alloys



Sumps

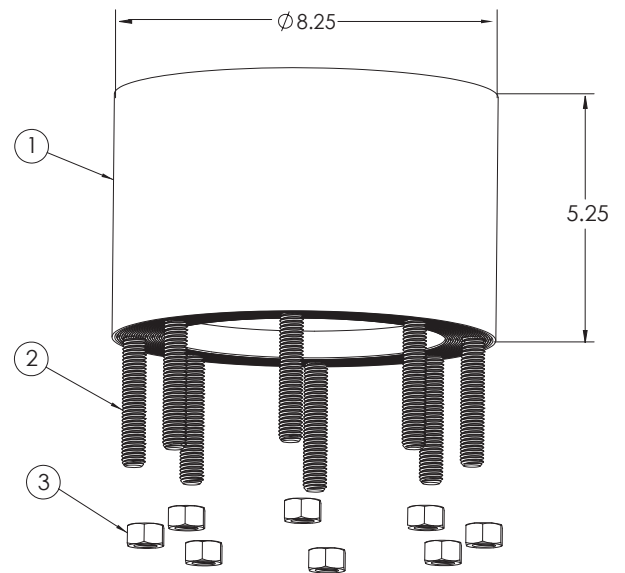
Girard Sumps

FEATURES

Girard's drain sump is specifically designed for tank trailers hauling corrosive and hazardous materials. The ID of the sump is designed and machined to allow for clean flow delivery of product from the tank. Every sump is cast and electropolished at Girard's foundry in Ft. Pierce, FL and are machined, assembled and tested in Vero Beach, FL. Sumps are shipped with a chemical and physical certification and pressure tested at 75 PSI for leaks. Sumps can be ordered in various lengths, e.g. 1¾", and 5¼". Standard material is CF3M (316L) or 2205 Duplex (CD3MN). Standard 4" TTMA Flange dimensions with optional ASME studs and nuts A193/A194 available for ASME certified tanks. Serrations are machined on the mounting face according to ASME B16.5.

NO.	ITEM NO.	DESCRIPTION
1	GP40165	4" Mounting Pad Machined - 5¼" Tall (shown)
	GP40110	4" Mounting Pad Machined - 1¾" Tall
2	GQ98550	Threaded Stud 316 Stainless Steel 2½" Long
	GQ98555	Threaded Stud 316 Stainless Steel 3½" Long
3	GQ98560	Hex Nut 316 Stainless Steel

GP40165



GP40110

