



## IBC Vent/Fill Cap Sanitary Vent Owner's Manual

GS61010 to GS63220

GS90000, GS90005

---



The dual-acting pallet of a Girard Vent/Fill IBC Cap relieves both pressure and vacuum, and sits securely within the vent body to avoid damage. Stainless steel construction and a choice of Teflon or Viton seals ensure compatibility with most any cargo. The device stands just 1 7/8" high (or 1" above the threaded flange), minimizing its exposure to collision.

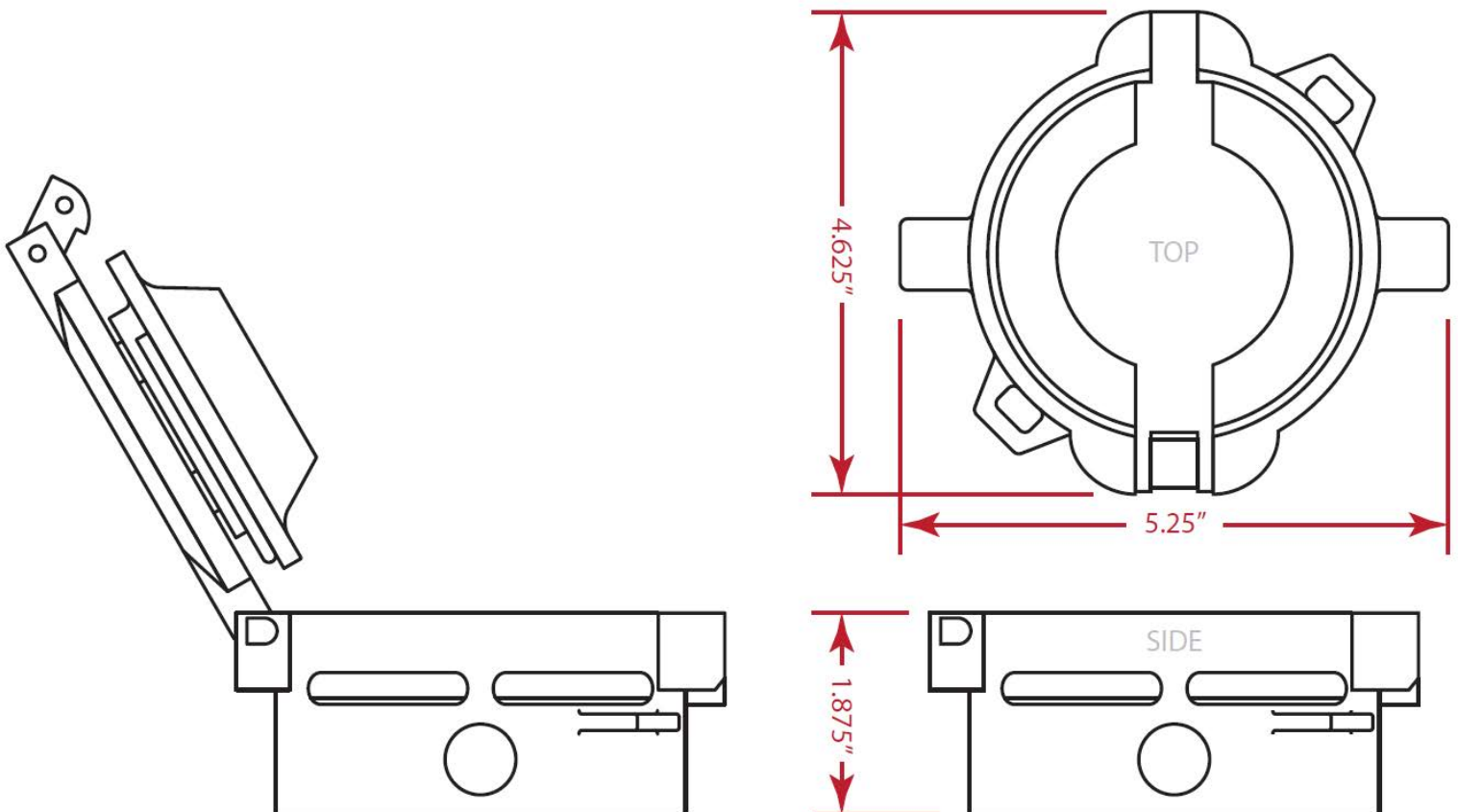
Patent Number 6, 619, 497

# Table of Contents

<b>Technical Data .....</b>	<b>3</b>
<b>Exploded View of Product .....</b>	<b>4</b>
<b>Safety.....</b>	<b>5</b>
General Safety Information .....	5
Product Storage .....	5
Product Handling .....	5
Disposal Requirements .....	5
<b>Installation Instructions .....</b>	<b>6</b>
<b>Operation Instructions .....</b>	<b>10</b>
<b>Maintenance Instructions .....</b>	<b>6-11</b>
<b>Test Instructions .....</b>	<b>12</b>
<b>Troubleshooting &amp; Repair .....</b>	<b>12</b>
<b>Replacement Parts .....</b>	<b>13</b>
<b>Warranty .....</b>	<b>14</b>
<b>Contact Information .....</b>	<b>14</b>

## Technical Data

- 1) Patent Number 6, 619, 497
- 2) All pressure bearing components are constructed of corrosion resistant 316 stainless steel.
- 3) Standard Tef-O-Sil (Teflon® encapsulated O-Ring) seals are compatible with all ladings for packing groups 1 & 2.
- 4) Relieves pressure at 3.5 or 5 PSIG.
- 5) Relieves vacuum at 1 or 2" Hg.
- 6) This product can be adapted to any application that requires low pressure venting with a 3" male NPT, ACME, or BSP connection.
- 7) Design features tamper-evident sealing.



# Exploded View of Product

Generation 2

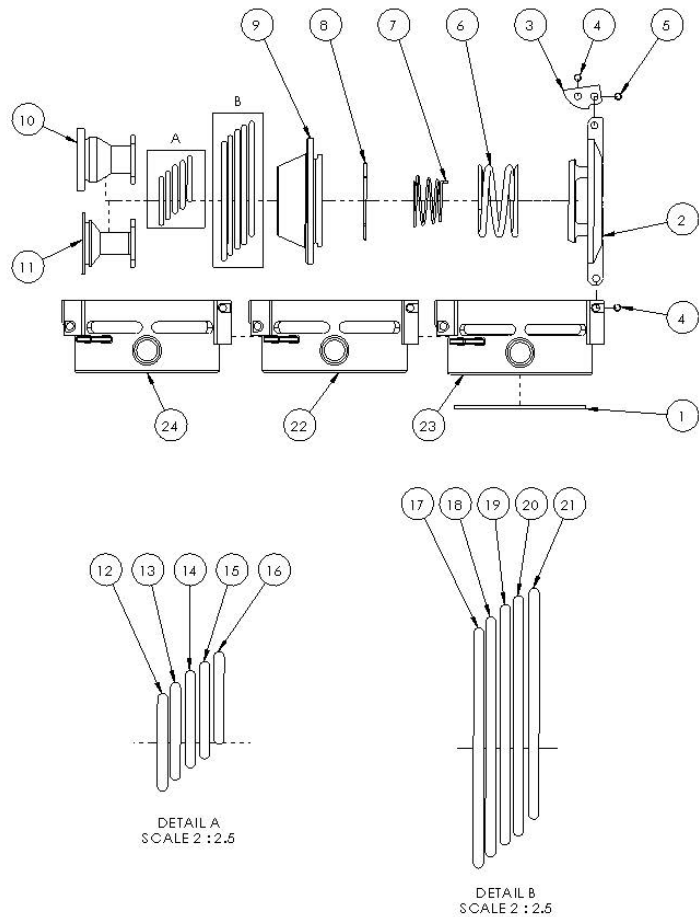
Pressure: 5 or 3.5 PSIG, Vacuum: 1" or 2" Hg

Threading: NPT, ACME, or BSP

Poppet: Stainless steel (food grade/3A) or polyethylene

O-rings: Tef-o-sil, Kalrez, Viton, White Nitrile, or Dup-Teflon

ITEM NO.	PART NUMBER	DESCRIPTION	QTY.
1	GM30001	3A 3TR TEFLON GASKET	1
2	GT01000	IBC FLAP	1
3	GT02100	IBC S/S LINK	1
4	GT03000	IBC LONG PIN	2
5	GT04000	IBC SHORT PIN	1
6	GT05000	IBC PRESSURE SPRING	1
7	GT06500	IBC CONICAL VACUUM SPRING	1
8	GT07000	IBC RETAINING CLIP	1
9	GT08005	2ND GEN IBC POPPET	1
10	GT09010	IBC VACUUM POPPET - POLY	1
11	GT09015	IBC VACUUM POPPET SS	1
12	GT10000	IBC VACUUM O-RING TEF-O-SIL	1
13	GT10001	IBC-POLY VAC.O-RING DUP-TEF	1
14	GT10003	IBC VAC.O-RING KALREZ	1
15	GT10020	IBC TEF-O-VIT.VAC.RING	1
16	GT10030	IBC VACUUM O-RING FG WHITE NEOPRENE	1
17	GT11000	IBC PRESSURE O-RING TEF-O-SIL	1
18	GT11001	IBC PRESSURE O-RING DUP-TEF	1
19	GT11005	IBC PRESSURE O-RING KALREZ	1
20	GT11020	IBC TEF-O-VIT. PRS.RING	1
21	GT11030	IBC PRESSURE O-RING WHITE NEOPRENE	1
22	GT12000	NPT IBC HOUSING	1
23	GT12005	ACME IBC HOUSING	1
24	GT12007	BSP IBC HOUSING	1



# Safety

## General Safety Information



**WARNING:** This device is under pressure that could cause injury. Do not attempt to disassemble this device unless you have been properly trained by a Girard Equipment representative. Follow all installation, maintenance, and repair instructions set forth in this manual to avoid injury.

## Product Storage

- Temperature Range: -40°F to 250°F
- Humidity Range: N/A
- Altitude Range: N/A

Store device upright and in its original container to maintain a dust-free environment. We recommend that stored valves be retested every six months. The initial test date will be listed on the valve certificate.

## Product Handling

Follow OSHA practices for lifting.

## Disposal Requirements

Due to spring pressure, authorized personnel must disassemble the device before disposal. Use caution when disassembling the device. If authorized personnel are not present, please contact Girard Equipment.

## Installation Instructions

- 1) Remove valve from packaging.
- 2) Align the valve with the tank mount.
- 3) Use Girard Equipment's GO45000 4 x 3" IBC spanner wrench to screw the IBC vent to its port.

## Operation Instructions

NOTE: It is the responsibility of all persons performing the operation of the Girard IBC Vent to read and understand this procedure before starting work.

No instructions are needed during the operation. This IBC vent functions automatically.

## Maintenance Instructions



**Warning:** This device is under pressure that could cause injury. Do not attempt to disassemble this device unless you have been properly trained by a Girard Equipment representative. Follow all installation, maintenance, and repair instructions set forth in this manual to avoid injury.

### O-Ring and Gasket Maintenance

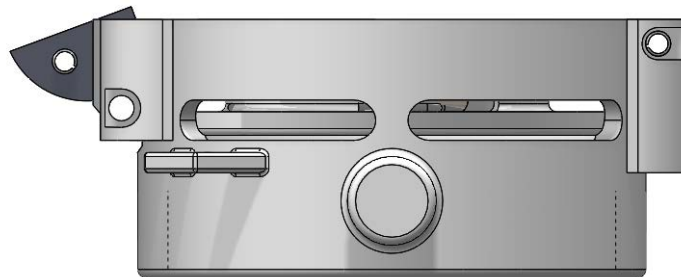
All soft goods should be replaced during regular maintenance and requalification, or if device fails an in-service STD (Start to Discharge) pressure test.

To replace the O-Rings:

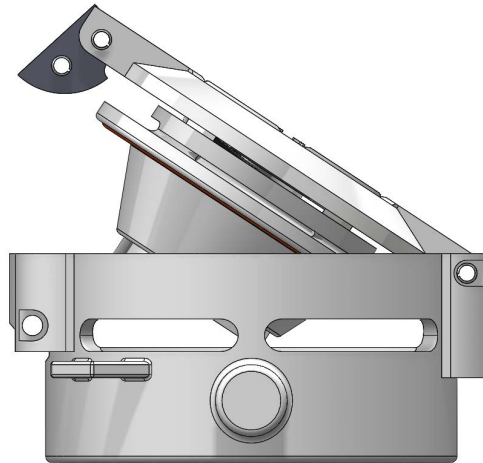
- 1) Use GO45000 4 x 3" IBC spanner wrench to unscrew the IBC Vent from its port.



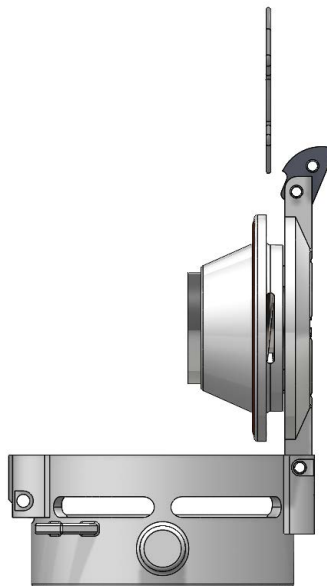
- 2) Push down on the top of the vent to release the latch. **Warning:** the 3A Vent/Fill IBC flap is under pressure. To prevent injury, the 3A Vent/Fill IBC flap should be handled with care while the retaining pin is unlatched. The pressure from the spring may cause the flap to rapidly swing open.



- 3) Open the GT01000 IBC flap carefully as it may still be under pressure from the pressure spring.

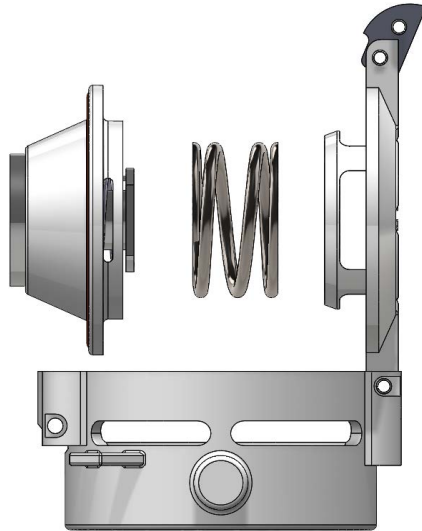


- 4) Carefully give the pressure/vacuum assembly (still attached to the flap) a 1/4 turn to release and remove the retaining clip. **Warning:** Use caution, as releasing the retaining clip will also release the compression force of the pressure spring.





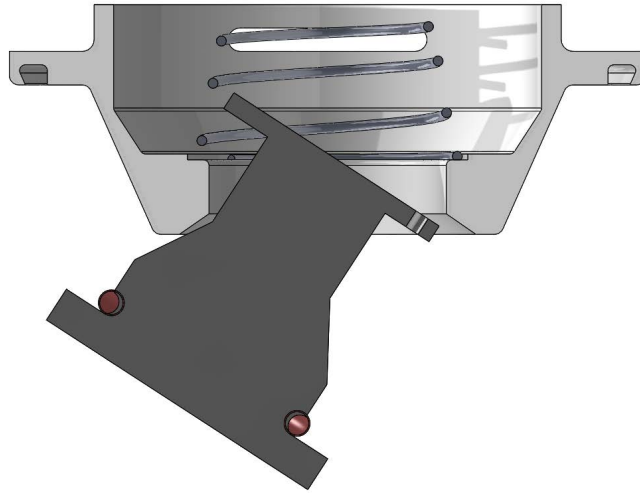
- 5) Remove the pressure/vacuum assembly from the housing and set the pressure spring aside.



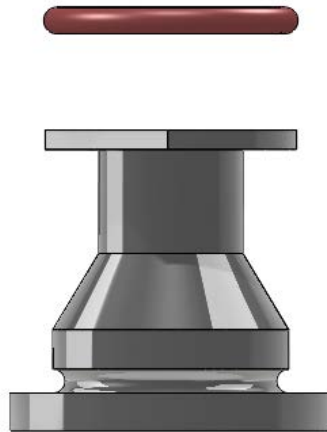
- 6) Remove and replace pressure O-ring.



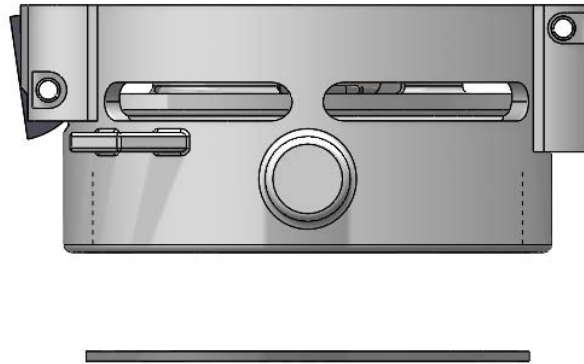
- 7) Compress the vacuum spring and tilt the vacuum poppet as it is lowered out of the pressure poppet assembly. The retaining clip may need to be removed for ease of access.



- 8) Remove and replace the vacuum O-Ring.



9) Remove and replace the body gasket from the lower housing, if required.



10) Re-assemble following steps 1-9 in reverse order.

## Test Instructions

### **Vacuum Testing:**

- Mount assembly to test fixture.
- Vacuum is to be set at max and valve opened all the way.
- If target vacuum is not met, adjust/replace vacuum spring as needed and retest.

### **Set Pressure Testing:**

- Mount assembly to test fixture.
- Rapidly increase gas pressure and blow out the assembly, assure that the O-ring does not unseat.
- Remove all pressure and bleed off.
- Slowly increase gas pressure until the valve opens, this is the set pressure. For example, a 5 PSIG IBC may set between 4 – 6 PSIG.
- Close air supply off and wait for valve to reseat and hold pressure for 30 seconds. For example, a 5 PSIG IBC may reseat between 3.2 – 6 PSIG.

## Troubleshooting & Repair

### **If device fails STD (Start to Discharge) test:**

1. Replace O-Ring as shown in the Maintenance Instructions section, Step 1-9.
2. Clean ceiling of poppet with industrial strength degreasing cleaner.

### **If device fails vacuum set pressure test:**

1. Adjust or replace the vacuum spring to reach desired pressure setting.

### **If device fails to reseat:**

1. Clean ceiling of poppet with industrial strength degreasing cleaner.

### **If device doesn't seal properly:**

1. Wipe sealing area with clean rag.
2. Install new pressure or vacuum O-Ring.
3. If problem cannot be corrected, contact a Girard Equipment representative.

# Replacement Parts

Pressure O-Rings:

(FOOD GRADE) <b>TEF-O-SIL</b>	(HAZARDOUS) <b>KALREZ</b>	<b>VITON</b>	(3A) <b>DUP-TEFLON</b>	(FOOD GRADE) <b>WHITE NEOPRENE</b>
GT11000	GT11005	GT11020	GT11001	GT11030

Vacuum O-Rings:

(FOOD GRADE) <b>TEF-O-SIL</b>	(HAZARDOUS) <b>KALREZ</b>	<b>VITON</b>	(3A) <b>DUP-TEFLON</b>	(FOOD GRADE) <b>WHITE NEOPRENE</b>
GT10000	GT10003	GT10020	GT10001	GT10030

**\*For additional materials and options, contact Girard Equipment’s Engineering Department.**

## Warranty

All goods manufactured by Girard Equipment, Inc. from “genuine” Girard parts are warranted to be free from defects and will be replaced free of charge if failure occurs within 5 year of date of shipment, provided that these parts have been used in accordance with seller’s recommendations. Our liability in any case shall be limited to the sale price of the product and will not extend to any consequential damage.

## Contact Information

**GIRARD**  
**EQUIPMENT, INC.**

4360 Old Dixie Hwy  
Vero Beach, FL 32967  
(908) 862-6300

[www.GirardEquip.com](http://www.GirardEquip.com)

