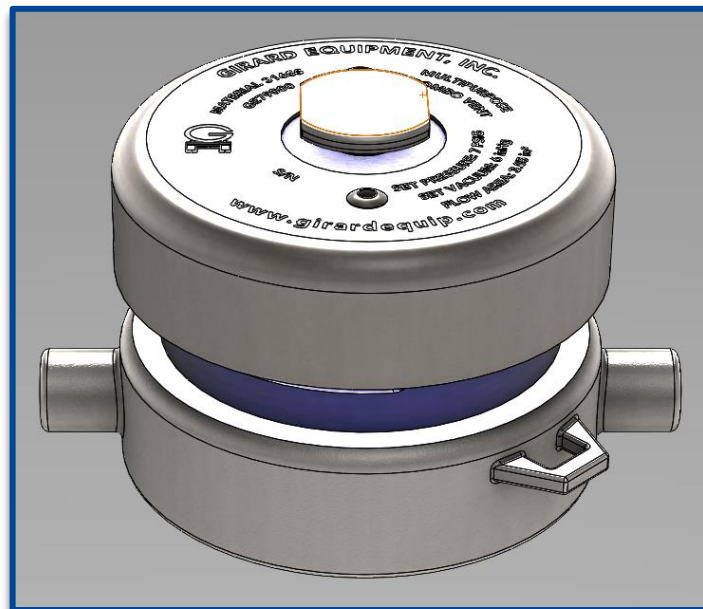




Multipurpose Combo Vent

Owner's Manual

GE79000 – GE79030



Multipurpose Combo Vent Model GE79000

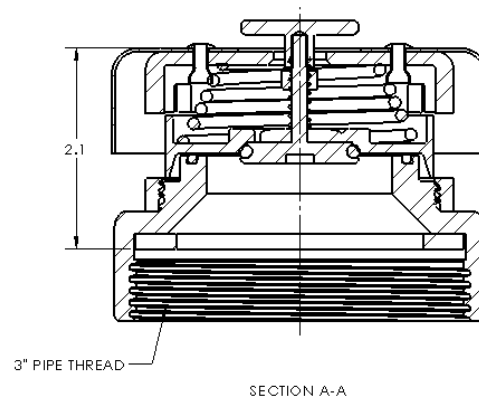
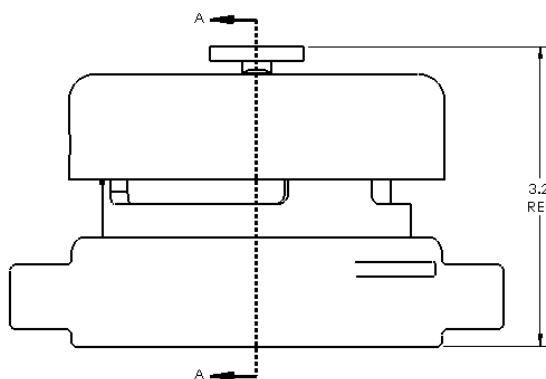
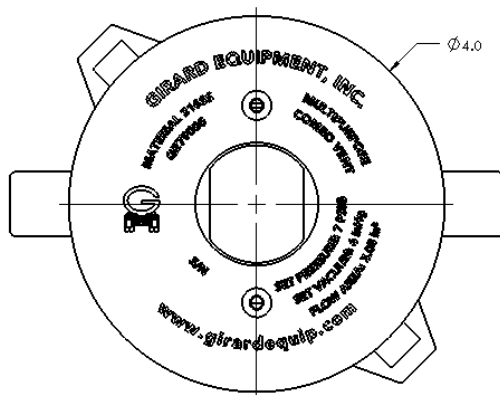
This vent is designed for the transportation of food grade lading and can be equipped with or without vacuum. Set pressures range from 5 PSI to 15 PSI. Sealing materials comply with 21 CFR 177.2600.

Table of Contents

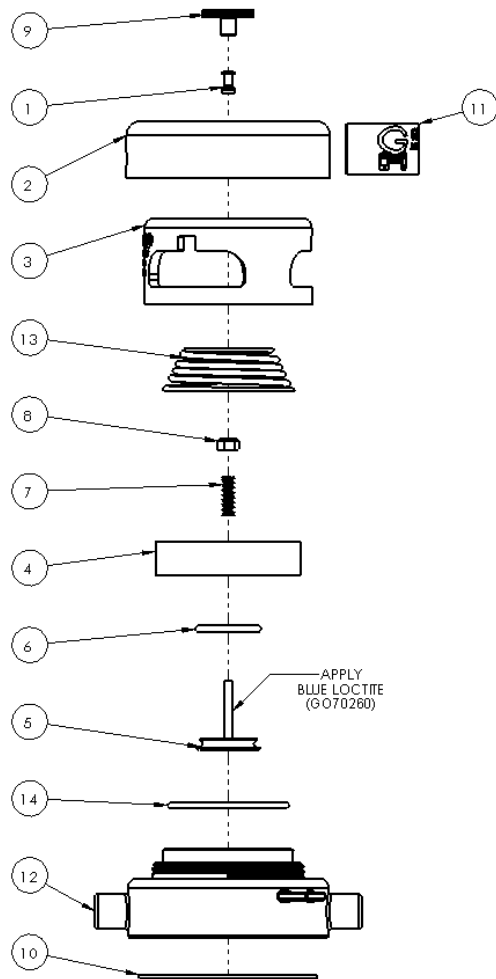
Technical Data	3
Exploded View of Product	4
Exploded View of GE79006 (Swivel).....	5
Safety.....	6
General Safety Information.....	6
Product Storage	6
Product Handling.....	6
Disposal Requirements	6
Operation Instructions	6
Maintenance Instructions	7
Test Instructions	11
Troubleshooting and Repair	11
Replacement Parts	12
Warranty	12
Contact Information	12

Technical Data

- 1) Overall height: 3.2", Overall length: 5.3", Overall width: 4.0"
- 2) Overall weight: 3.2 lbs
- 3) All cast components made from 316 Stainless Steel
- 4) Factory adjustable pressure range from 5 to 15 psi
- 5) Vacuum set to 6 inHg +/- 1 inHg
- 6) Vent should be ordered with factory settings not to exceed the pressure rating of all other in-line component(s)
- 7) Mounts to IBC container or tank using 3" NPS or ACME threads
- 8) Approximate flow rates: 403 SCFM @ 6 psi to 823 SCFM @ 18 psi
- 9) Manufactured and assembled in the USA



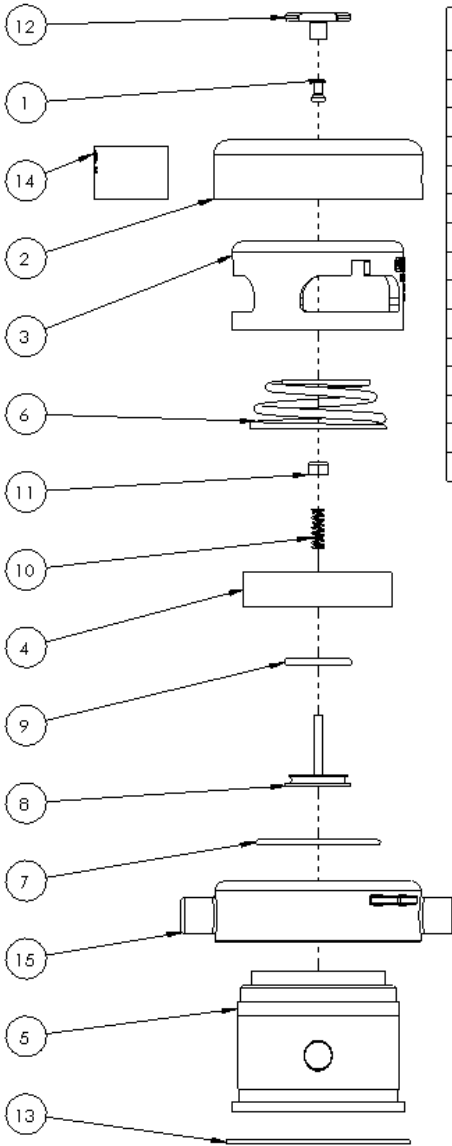
Exploded View of Product



ITEM NO.	PART NUMBER	DESCRIPTION	QTY.
1	GB98030	RIVET, VENT, 5/32" DIA	2
2	GF03020	MULTIPURPOSE RAIN COVER	1
3	GF04602	MULTIPURPOSE COMBO VENT UPPER HOUSING	1
4	GF04650	AEROVENT PRESSURE POPPET WITH VACUUM	1
5	GF35002	AEROVENT MODIFIED VACUUM POPPET	1
6	GF37000	VSK5(8)V VACUUM O-RING	1
7	GF38020	MULTIPURPOSE VAC SPRING	1
8	GF39010	VSK5V LOCK NUT	1
9	GF39032	AEROVENT VACUUM RELIEF BUTTON	1
10	GM30000	TEFLON GASKET 3"	1
11	GO40105	NAMEPLATE, VENT, PEEL & STICK	1
12	SEE CHART	LOWER HOUSING	1
13	SEE CHART	PRESSURE SPRING	1
14	SEE CHART	PRESSURE O-RING	1

VENT PART NO.	DESCRIPTION	LOWER HOUSING	PRESSURE SPRING	PRESSURE O-RING
GE79000	7 PSI, NPS, TEFOFIL	GF04690	GF05160	GF08110
GE79005	12 PSI, NPS, NEOPRENE	GF04690	GF05130	GF08090
GE79010	15 PSI, NPS, NEOPRENE	GF04690	GF05130	GF08090
GE79012	15 PSI, NPS, TEFOFIL	GF04690	GF05130	GF08110
GE79015	5 PSI, NPS, NEOPRENE	GF04690	GF05150	GF08090
GE79020	9 PSI, NPS, NEOPRENE	GF04690	GF05170	GF08090
GE79025	5 PSI, ACME, NEOPRENE	GF04685	GF05150	GF08090
GE79030	15 PSI, ACME, NEOPRENE	GF04685	GF05130	GF08090

Exploded View of GE79006 (Swivel)



ITEM NO.	PART NUMBER	DESCRIPTION	QTY.
1	GB98030	RIVET, VENT, 5/32" DIA	2
2	GF03020	MULTIPURPOSE RAIN COVER	1
3	GF04602	MULTIPURPOSE COMBO VENT UPPER HOUSING	1
4	GF04650	AEROVENT PRESSURE POPPET WITH VACUUM	1
5	GF04715	MULTIPURPOSE L/H WELDMENT F/ SWVL MACH'D W/ PORTS	1
6	GF05130	AEROVENT CONICAL SPRING 12 PSI	1
7	GF08090	AEROVENT WHITE NEOPRENE FOOD GRADE O-RING	1
8	GF35002	AEROVENT MODIFIED VACUUM POPPET	1
9	GF37000	VSK5 (8) V VACUUM O-RING	1
10	GF38020	MULTIPURPOSE VAC SPRING	1
11	GF39010	VSK5V LOCK NUT	1
12	GF39032	AEROVENT VACUUM RELIEF BUTTON	1
13	GM30000	TEFLON GASKET 3"	1
14	GO40105	NAMEPLATE, VENT, PEEL & STICK	1
15	GO40300	SS NUT - 3" (CF8M)	1

Safety

General Safety Information



WARNING: All safety regulations must be followed during the operation of this product. Follow maintenance instructions as set forth in this manual to avoid serious injury. Do not attempt to disassemble the device unless you have been properly trained by a Girard Equipment representative. It is strongly recommended that this entire manual be read prior to the operation of this equipment.

Product Storage

- Temperature Range: -40° F to 250° F
- Humidity Range: N/A
- Altitude Range: N/A

Store the empty device in its original container, to maintain a dust-free environment.

Product Handling

Follow OSHA practices for lifting of heavy objects.

Disposal Requirements



WARNING: Due to spring pressure, authorized personnel must disassemble the device before disposal. Use caution. If authorized personnel are not present, please contact Girard Equipment.

Operation Instructions

No instructions are needed during the operation. This safety relief valve opens and reseats automatically.

Maintenance Instructions



WARNING: This device is under high pressure that could cause serious injury or death. Do not attempt to disassemble this device unless you have been properly trained by a Girard Equipment representative. Follow all installation, maintenance and repair instructions to avoid injury.

Girard recommends that all products be placed on a regular maintenance schedule which includes a visual inspection for leaks. The end user must determine their own schedule based on use and environment. Ensure the schedule meets regulations and the operators are aware of all applicable codes.

Threads

Periodically check condition of all threads and replace part as necessary.

O-rings and Gaskets

O-rings and gaskets should be replaced at time of regular maintenance and requalification, or if the device fails an in-service STD (start-to-discharge) pressure test. To replace o-rings and gasket:

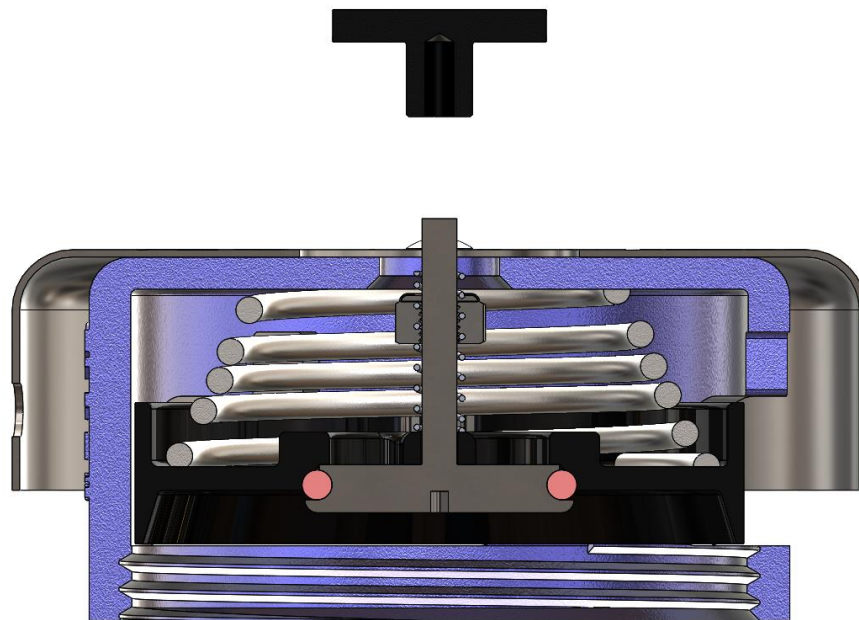
- 1) Separate lower housing from upper housing by pressing down on the GF04650 pallet with an Arbor Press and slowly unscrewing. **WARNING:** Device under pressure. Use caution when disassembling.



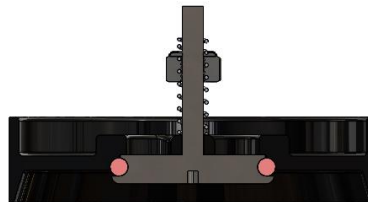
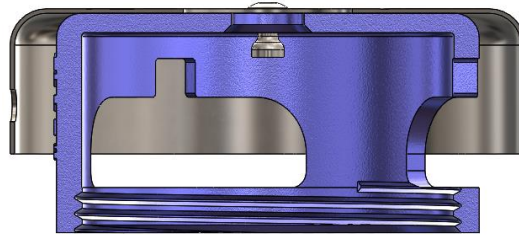
- 2) Remove pressure o-ring and gasket.



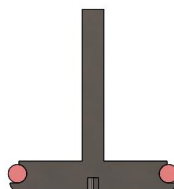
- 3) Insert flat head screwdriver into bottom of vacuum poppet to ensure it cannot turn. Unscrew and remove the GF39032 Vacuum Relief Button. **WARNING:** Device under pressure. Use caution when removing relief button and springs.



- 4) Remove the pallet assembly and pressure spring.



- 5) Unscrew the GF39010 VSK5V lock nut, remove the GF38020 vacuum spring, and remove the GF25002 vacuum poppet.



6) Remove the GF37000 vacuum o-ring.



7) To reassemble, follow steps 1-6 in reverse order.

Test Instructions

Seat Leakage Test:

- 1) Rapidly increase air pressure and blow out the assembly. Ensure the o-ring does not unseat.
- 2) Remove all pressure and bleed off.
- 3) Slowly increase air pressure until the valve opens. Start to discharge pressure is 7 +/- 1.5 psi.
- 4) Decrease air pressure and wait for the valve to reseat. Reseat pressure is between 4.4 and 8.5 psi.

Troubleshooting and Repair

If device fails STD (Start to Discharge) test	<ol style="list-style-type: none"> 1. Replace O-ring as shown in the Maintenance Instructions section. 2. Clean the ceiling of the poppet with a Scotch-Brite™ pad.
If device fails vacuum set pressure test	<ol style="list-style-type: none"> 1. Tighten or loosen the vacuum spring to reach the desired pressure setting.
If device fails to reseat	<ol style="list-style-type: none"> 1. Clean the ceiling of the poppet with a Scotch-Brite™ pad.
If device doesn't seal properly	<ol style="list-style-type: none"> 1. Wipe sealing area with a clean rag. 2. Install a new gasket, pressure O-ring, or vacuum O-ring. 3. If problem cannot be corrected, contact a Girard Equipment representative.

Replacement Parts

Part Number	Description
GF05130	12 PSI SPRING
GF05150	5 PSI SPRING
GF05160	7 PSI SPRING
GF05170	9 PSI SPRING
GF08090	WHITE NEOPRENE FOOD GRADE O-RING
GF08110	MULTIPURPOSE TEF-O-SIL PRESSURE O-RING
GF37000	VSK5(8)V VACUUM O-RING
GF38020	MULTIPURPOSE VACUUM SPRING
GM30000	TEFLON GASKET 3"

Warranty

All goods manufactured by Girard Equipment, Inc. from “genuine” Girard parts are warrantied to be free from defects and will be replaced free of charge if failure occurs within 5 years of date of shipment, provided that these parts have been used in accordance with seller’s recommendations. Our liability in any case shall be limited to the sale price of the product and will not extend to any consequential damage.

Contact Information

GIRARD
EQUIPMENT, INC.

4360 Old Dixie Hwy
Vero Beach, FL 32967
(908) 862-6300

www.GirardEquip.com

