

GIRARD **EQUIPMENT, INC.**

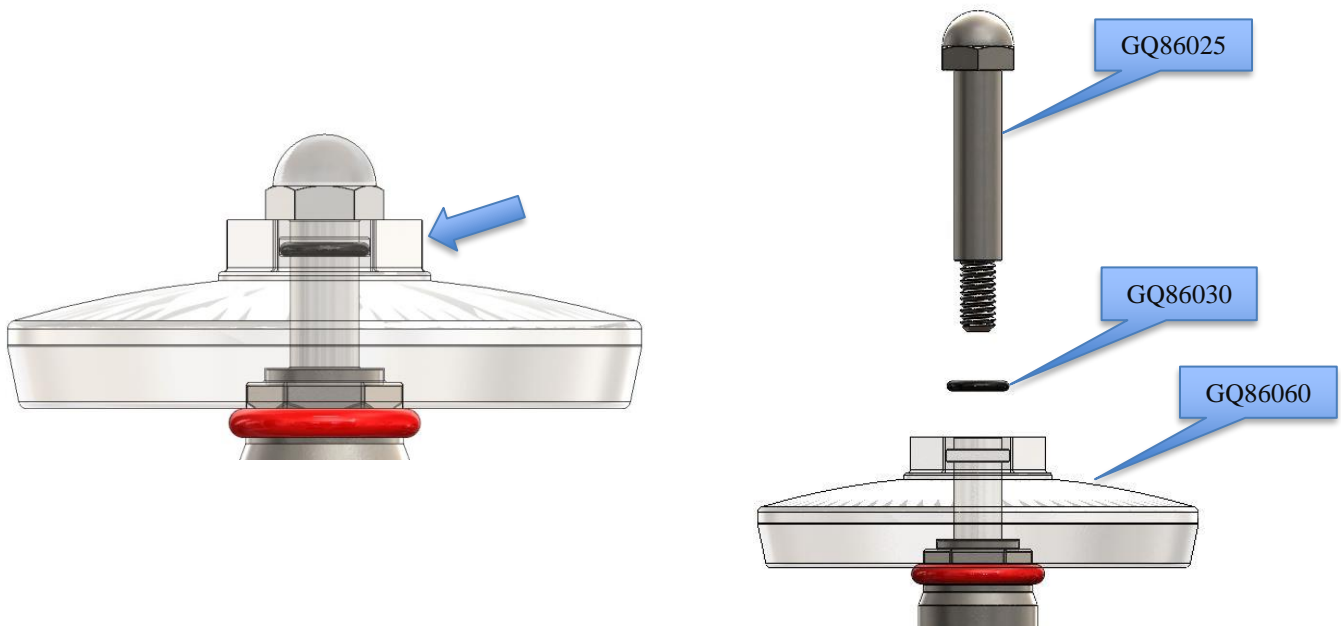
Specialist For The Tank Transportation Industry Since 1952

ENGINEERING TECHNICAL BULLETIN

TB-001-071824
Revision Level A
Page 1 of 2

GQ86000 SERIES CHEMOVATION EXTERNAL VALVE POPPET IMPROVEMENTS

ORIGINAL POPPET DESIGN WITH O-RING RECESSED WITHIN THE POPPET



BEFORE DESIGN CHANGE IN LATE 2022

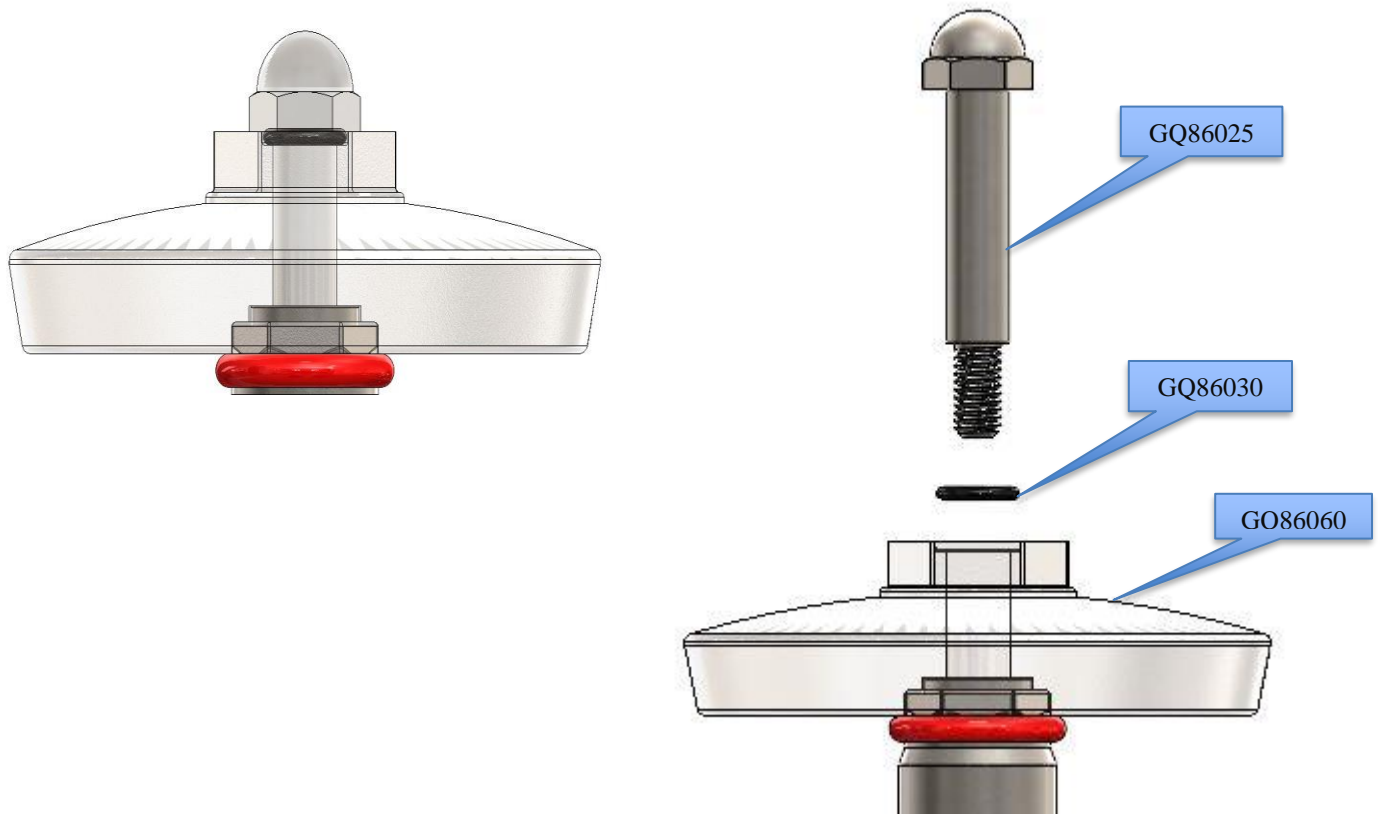


GIRARD **EQUIPMENT, INC.**

Specialist For The Tank Transportation Industry Since 1952

ENGINEERING TECHNICAL BULLETIN

TB-001-071824
Revision Level A
Page 2 of 2



AFTER DESIGN CHANGE, WITH IMPROVED SEALING. O-RING POSITIONED DIRECTLY UNDER BOLT HEAD
PROVIDING SEALING IN ALL DIRECTIONS

