

# **GIRARD** **EQUIPMENT, INC.**

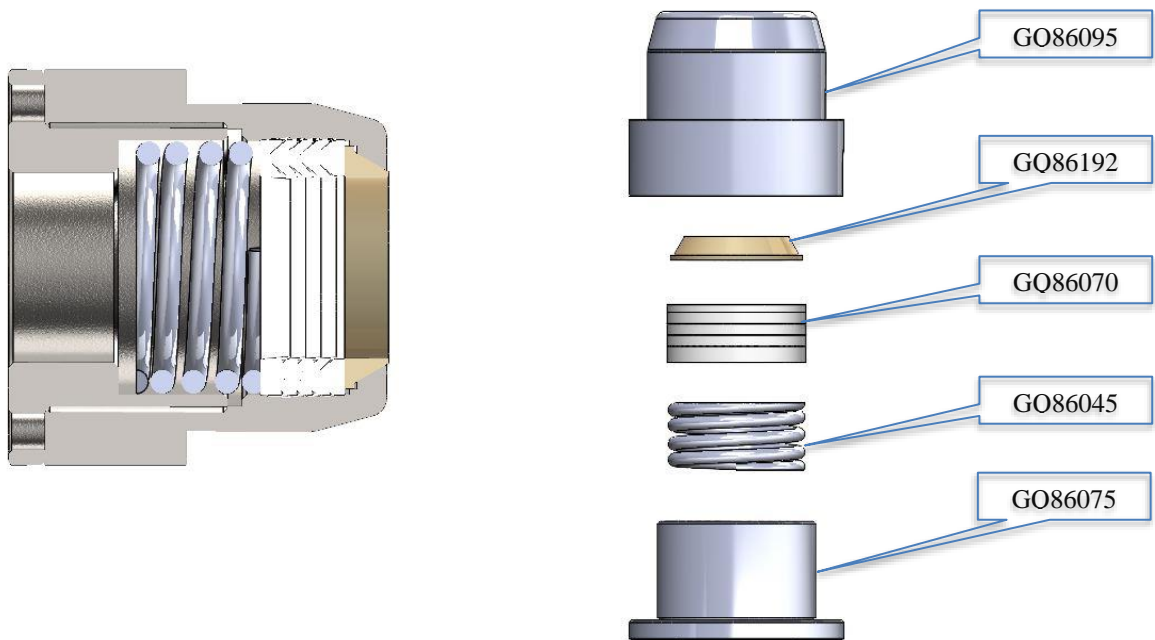
Specialist For The Tank Transportation Industry Since 1952

## ENGINEERING TECHNICAL BULLETIN

TB-001-071924  
Revision Level A  
Page 1 of 2

### GQ86200 SERIES CHEMOVATION EXTERNAL PACKING SEAL RETAINER ASSEMBLY IMPROVEMENTS

**BEFORE DESIGN CHANGE IN EARLY 2024**



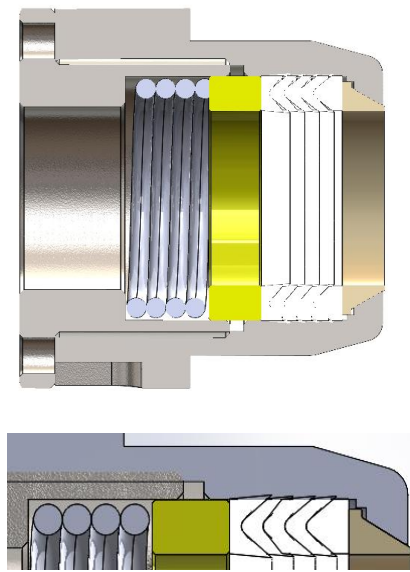
# GIRARD EQUIPMENT, INC.

Specialist For The Tank Transportation Industry Since 1952

## ENGINEERING TECHNICAL BULLETIN

TB-001-071924  
Revision Level A  
Page 2 of 2

### AFTER DESIGN CHANGE, EARLY 2024



Shown above with the GQ87156 Teflon bushing sitting on top of the seal set, providing stable direct downward force to the seals preventing the spring from damaging the seal set.

